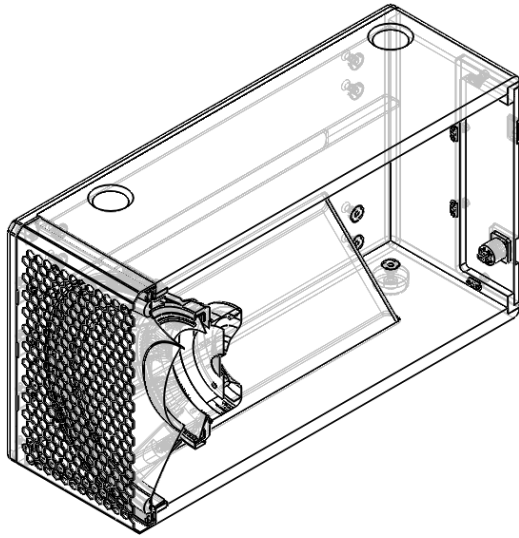


# WestLab Audio



## Product Data

12" Sub

Series: LABSUB

Model: LABSUB 12p (passive)

Dimensions H 335 x W 400 x D 600 mm

Local Box H 350 x W 435 x D 615 mm

Export Box H 410 x W 515 x D 660 mm

Net weight 20,5 kg

Export boxed 24,5 kg

---

Power Handling (RMS/Program/Peak)	600/1000/2000 W
Nominal Impedance	8 Ohm
Sensitivity (1W/1m)	96 dB
Max SPL (peak)	128 dB
Frequency Range	30 Hz - 120 Hz
Free Field Frequency Response	43 Hz - 150 Hz
rec. Crossover Frequency	110 Hz
Directivity	Omnidirectional Cardioid / Hypercardioid in Clusters driven with Labcon MK2
Low Frequency Driver Chassis type	Cone driver, port loaded
Low Frequency Driver Magnet	Neodymium
Low Frequency Driver Chassis diameter	12" / 318 mm
Low Frequency Driver Voicecoil diameter	3" / 77 mm