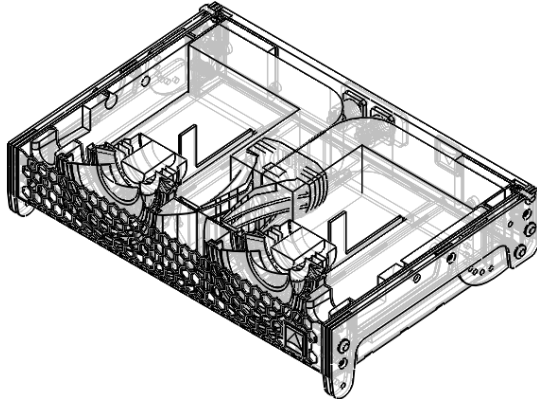


WestLab Audio



Product Data

2 x 5" / 4" 2-way Array (aluminium housing)

Series: LABLINE

Model: LABLINE 2.5a (external active)

Dimensions H 146 x W 430 x D 271 mm

! H = pin to pin !

Local Box H 180 x W 445 x D 290 mm

Export Box H 250 x W 495 x D 345 mm

Net weight 10,5 kg

Export boxed 12,5 kg

Power Handling (RMS/Program/Peak)

LF 260/1000 W / HF 80/320 W

Nominal Impedance

LF 16 Ohm / HF 16 Ohm

Sensitivity (1W/1m)

91 dB / 112 dB

Max SPL (peak)

120 dB linear / 130 dB peak

Frequency Range (-6 dB)

75 Hz - 20 kHz

Crossover Frequency

1,7 kHz

Directivity (horizontal x vertical)

100° x 10°

Low Frequency Driver Chassis type

2 x Cone driver, port loaded

Low Frequency Driver Magnet

Neodymium

Low Frequency Driver Chassis diameter

5 1/4" / 162 mm

Low Frequency Driver Voicecoil diameter

1,5" / 38 mm

High Frequency Driver Chassis type

hornloaded planar wave compression driver

High Frequency Driver Magnet

Neodymium

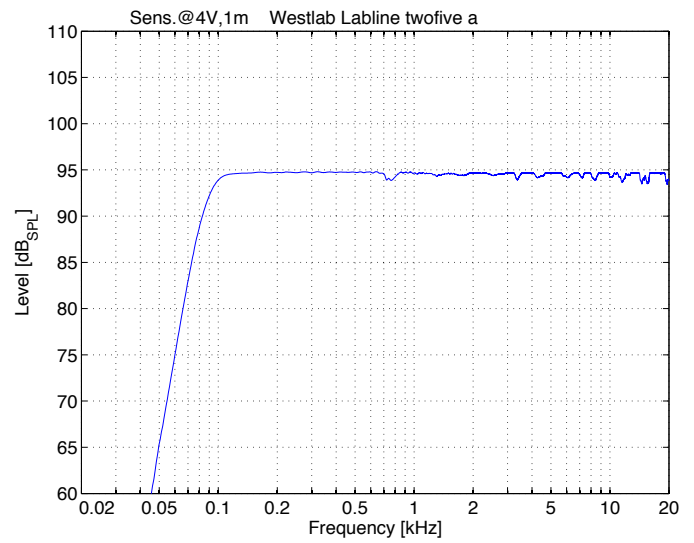
High Frequency Driver Chassis diameter

4" x 1" / 101,6 x 25,4 mm

High Frequency Driver Voicecoil diameter

1,75" / 44,4 mm

Frequency response LL 2.5a



Horizontal Isobars LL 2.5a

