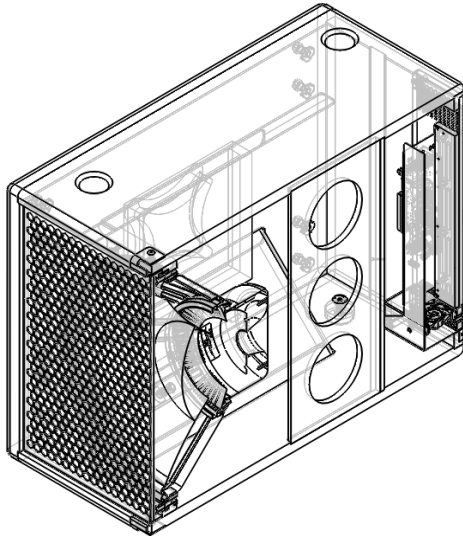


WestLab Audio



Product Data

15" Sub

Series: LABSUB

Model: LABSUB 15 (full active)

Dimensions H 450 x W 534 x D 600 mm

Local Box H 470 x W 570 x D 615 mm

Export Box H 525 x W 640 x D 670 mm

Net weight 40,5 kg

Export boxed 45 kg

Total System Power (RMS/Peak)

1550 / 2000 W

Max SPL (peak)

133 dB

Frequency Range

30 Hz - 120 Hz

Free Field Frequency Response

38 Hz - 170 Hz

rec. Crossover Frequency

100 Hz

Directivity

Omnidirectional

Cardioid / Hypercardioid in Clusters

driven with Labcon MK2

Low Frequency Driver Chassis type

Cone driver, port loaded

Low Frequency Driver Magnet

Neodymium

Low Frequency Driver Chassis diameter

15" / 388 mm

Low Frequency Driver Voicecoil diameter

4" / 101,6 mm