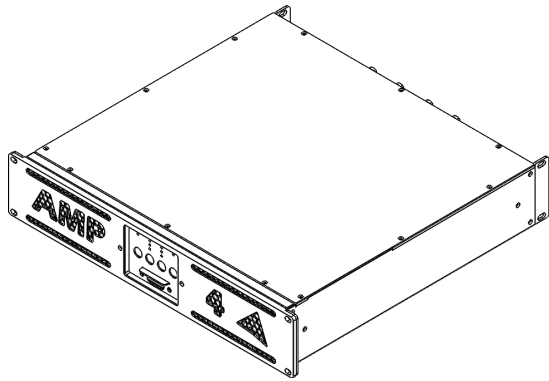


# WestLab Audio



## Product Data

### 19" 4 - Channel Amp

Series: LABAMP  
Model: LABAMP 4

Dimensions H 88,5 x W 483 x D 454 mm  
Local Box H 130 x W 580 x D 580 mm  
Export Box H 165 x W 585 x D 585 mm  
Net weight 15 kg  
Export boxed 19,5 kg

---

|                                 |                              |
|---------------------------------|------------------------------|
| Number of channels              | 4                            |
| Gain                            | 30 dB                        |
| Frequency Response (+/- 0,5 dB) | 10 Hz - 50 kHz + 0 dB / -3dB |

### Output power per channel:

|           |        |
|-----------|--------|
| RMS 8 Ohm | 1400 W |
| RMS 4 Ohm | 2200 W |
| RMS 2 Ohm | 2500 W |

### THD% (@1dB below max output) IMD:

|                 |                 |
|-----------------|-----------------|
| @ 1 kHz         | n.a.            |
| 20 Hz to 20 kHz | >0,009% @ 4 Ohm |

### Power Consumption:

|                             |        |
|-----------------------------|--------|
| Nominal @ 240 V into 4 Ohms | 3600 W |
| Nominal @ 120 V into 4 Ohms | n.a.   |